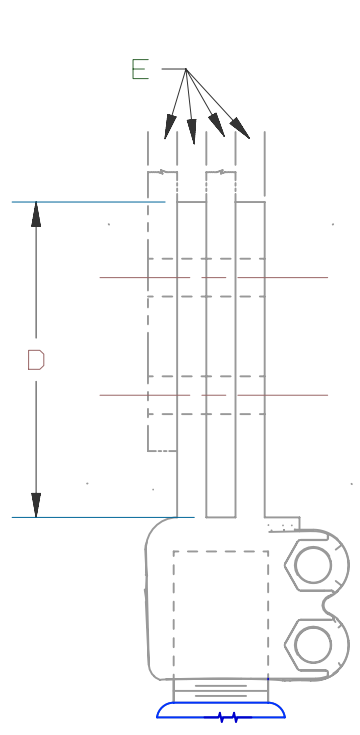
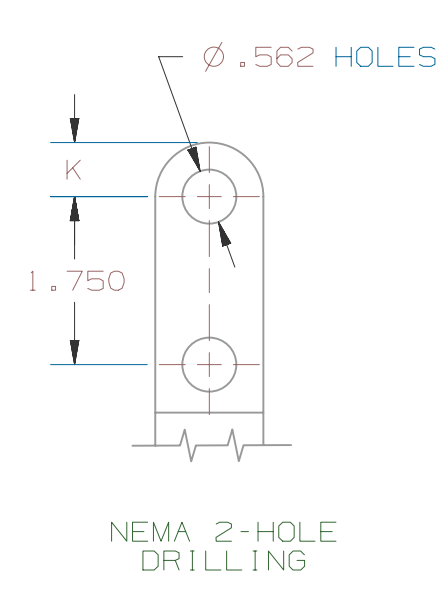
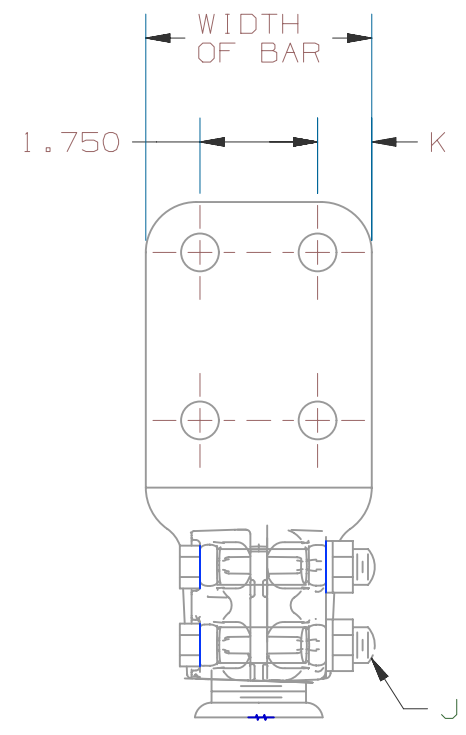
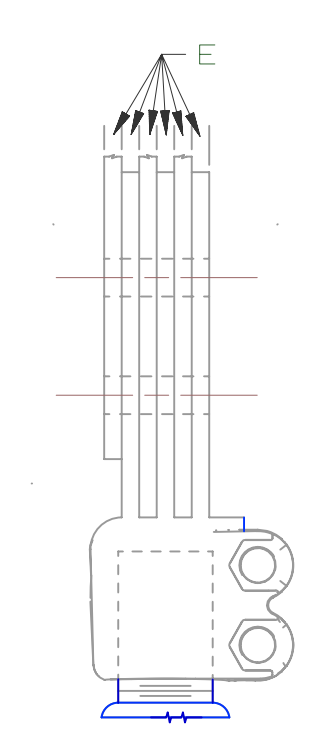


FOR ONE BAR

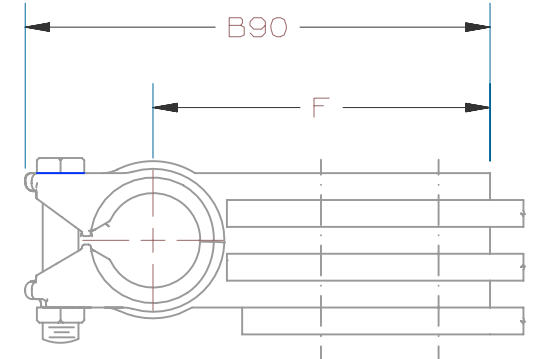


FOR TWO BARS

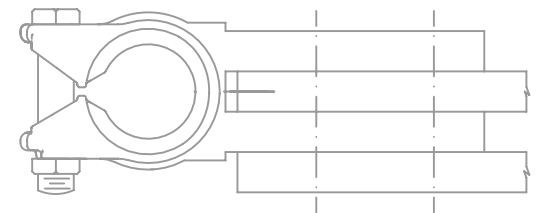


FOR THREE BARS

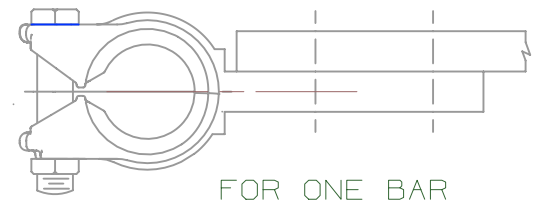
TOLERANCE CHART		
LESS THAN 2"	2"-6"	GREATER THAN 6"
±.031	±.047	±.063
ANGULAR TOLERANCE ± 1°		



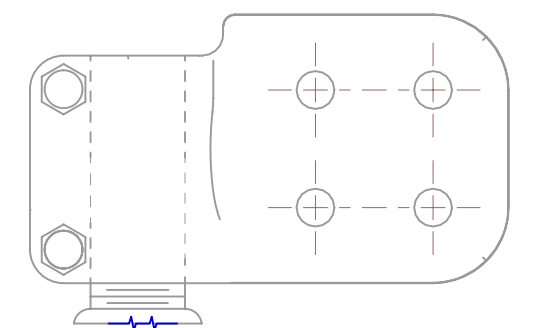
FOR THREE BARS



FOR TWO BARS



FOR ONE BAR



ADSF-90

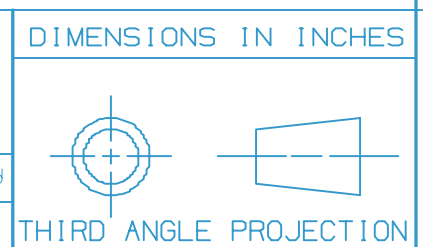
CATALOG NUMBER		STUD		BAR		DIMENSION IN INCHES							
ADSF	ADSF-90	DIA	THD	NO	WIDTH	A	B	B90	K	D	E	F	J
ADSF-14-1-D-1/2-12		1.500	12	1	4.000	2.312	7.312		1.125	4.250	.500		.500
	ADSF-30-1-D-1-90-12	3.000	12	1	4.000	2.750		8.875	1.125	4.125	1.000	6.375	.500
ADSF-14-1-D-3/4-12		1.500	12	1	4.000	2.250	7.031		1.125	4.250	.750		.500
ADSF-40-1-F-1/2-10	ADSF-40-1-F-1/2-90-10	4.000	10	1	6.000	4.000	11.156	12.219	1.750	6.250	.500	9.000	.625
ADSF-30-1-6-3/8-12		3.000	12	1	6.000	3.250	10.313		1.250	6.250	.375		.625
ADSF-20-1-D-3/4-12	ADSF-20-1-D-3/4-90-12	2.000	12	1	4.000	2.250	7.313	8.000	1.125	4.250	.750	6.000	.500
ADSF-16-1-D-3/8-12	ADSF-16-1-D-3/8-90-12	1.750	12	1	4.000	2.250	7.313	7.812	1.125	4.250	.375	5.844	.500
ADSF-16-1-D-3/8-0		1.750	0	1	4.000	2.250	7.313		1.125	4.250	.375		.500
ADSF-14-1-C-3/8-12*	ADSF-14-1-C-3/8-90-12	1.500	12	1	3.000	2.250	6.281	6.375	.625	3.250	.375	4.625	.500
ADSF-20-1-D-3/8-12		2.000	12	1	4.000	2.250	7.313		1.125	4.250	.375		.500
ADSF-12-1-C-3/8-12		1.250	12	1	3.000	2.250	6.000		.625	3.250	.375		.500
ADSF-14-2-D-1/4-12		1.500	12	2	4.000	2.250	7.031		1.125	4.250	.250		.500
ADSF-20-1-D-1/2-14		2.000	14	1	4.000	2.313	7.313	8.000	1.125	4.250	.500	6.000	.500
ADSF-20-1-D-1/2-12	ADSF-20-1-D-1/2-90-12	2.000	12	1	4.000	2.313	7.313	8.000	1.125	4.250	.500	6.000	.500
ADSF-40-2-F-3/8-12*		4.000	12	2	6.000	4.000	11.156		1.250	6.250	.375		.625
ADSF-30-2-D-1/2-12*		3.000	12	2	4.000	3.594	8.250		1.125	4.250	.500		.625
ADSF-11-1-C-3/8-12		1.125	12	1	3.000	2.250	6.063		.625	3.250	.375		.500
ADSF-20-3-D-1/4-12*		2.000	12	3	4.000	2.250	7.125		1.125	4.250	.250		.500
ADSF-20-2-D-3/8-12*		2.000	12	2	4.000	2.250	7.125		1.125	4.250	.375		.500
ADSF-14-1-D-3/8-12	ADSF-14-1-D-3/8-90-12	1.500	12	1	4.000	2.250	7.313	7.438	1.125	4.250	.375	5.688	.500
ADSF-11-1-D-3/8-12*		1.125	12	1	4.000	2.500	7.000		1.125	4.250	.375		.500
ADSF-37-1-D-3/4-0		3.875	-	1	4.000	4.000	9.031		1.125	4.250	.750		.625
ADSF-11-1-B2-3/8-12		1.125	12	1	2.000	2.313	6.063		.625	3.250	.375		.500
ADSF-10-1-D-3/8-12		1.000	12	1	4.000	2.250	7.063		1.125	4.250	.375		.375
ADSF-30-1-D-1/2-12		3.000	12	1	4.000	3.250	8.375		1.125	4.250	.500		.500
ADSF-17-1-D-1/2-0		1.875	-	1	4.000	2.375	7.344		1.125	4.250	.500		.500
ADSF-14-1-B2-3/8-12		1.500	12	1	2.000	2.313	6.313		.625	3.250	.375		.500
ADSF-40-1-D-1-10		4.000	10	1	4.000	4.000	9.250		1.125	4.250	1.000		.625
ADSF-11-1-B2-3/8-12	ADSF-11-1-B2-3/8-90-12	1.125	12	1	2.000	2.500	6.063	5.625	.625	3.250	.375	4.375	.500
ADSF-15-1-C-1/2-0		1.625	0	1	3.000	2.000	6.313		.625	3.250	.500		.500
	ADSF-5.312-1-D-1-90-0	5.312	0	1	4.000	4.000		12.000	1.125	4.250	1.000	7.875	.500
ADSF-4.875-1-D-3/4-0		4.875	0	1	4.000	4.000	9.125		1.125	4.250	.750		.625
ADSF-27-1-D-3/4-12		2.875	12	1	4.000	3.250	8.375		1.125	4.250	.750		.625
ADSF-14-1-D-3/4-0		1.500	0	1	4.000	2.250	7.031		1.125	4.250	.750		.500
ADSF-40MM-1-D-1/2-0		40MM	0	1	4.000	2.250	7.313		1.125	4.250	.500		.500
ADSF-50MM-1-D-3/4-0		50MM	0	1	4.000	2.313	7.313		1.125	4.250	.750		.500
ADSF-60MM-1-D-1/2-0		60MM	0	1	4.000	2.75	7.719		1.125	4.250	.500		.500
ADSF-16-1-D-3/4-0		1.750	-	1	4.000	2.250	7.313		1.125	4.250	.750		.500
ADSF-16-1-D-3/4-12		1.750	12	1	4.000	2.250	7.313		1.125	4.250	.750		.500
ADSF-31-1-D-1-0		3.125	-	1	4.000	3.000	8.438		1.125	4.250	1.000		.625
ADSF-30-1-D-3/4-12		3.000	12	1	4.000	3.250	8.375		1.125	4.250	.750		.500
ADSF-12-1-D-3/8-12		1.250	12	1	4.000	2.250	7.000		1.125	4.125	.375		.500
ADSF-12-1-C-3/8-0		1.250	0	1	3.000	2.250	6.000		.625	3.250	.375		.500
ADSF35MMID120		35MM	0	1	4.000	2.312	7.312		1.125	4.250	.500		.500
ADSF30MMID120		30MM	-	1	4.000	2.312	7.312		1.125	4.250	.500		.500

NOTES:

- MATERIAL = CASTINGS, A356-T6 ALUM ALLOY - HARDWARE FOR STUD BODY; BOLTS, 2024T4; NUTS, 6061T6; WASHERS, 7075T6.
- THICKNESS OF BAR, TONGUE AND SPACE ARE THE SAME.
- ALL NEMA STANDARD TONGUES ARE AVAILABLE.
- ITEMS MARKED WITH ASTERISK (\*) DO NOT HAVE ROUNDED TONGUES.
- TONGUE MOUNTING HARDWARE AVAILABLE BY ADDING TMH TO CAT. NO. (ADSF-14-1-D-1/2-12-TMH).
- TIN PLATING CASTING AVAILABLE BY ADDING "GP" TO END OF CAT. NO. (ADSF-14-1-D-12-12-GP)

EC #	REV	DESCRIPTION	DATE	CHG BY	APPR'd
74398	27	ADD PART ADSF201D1214 TO TABLE	6/8/2018	HG	HG

REVISION HISTORY



HPS®		HUBBELL® POWER SYSTEMS	
TITLE STUD CONNECTOR STUD TO FLAT			
SIZE	DWG NO.	CAT / PART / ASSY NO.	REV
C	C-9672	ADSF	27
SCALE: NTS	DRN BY: DJ	DATE: 5-21-71	SHEET 1 OF 1

CONFIDENTIAL: THIS DRAWING AND ITS CONTENTS ARE CONFIDENTIAL AND THE EXCLUSIVE PROPERTY OF HUBBELL POWER SYSTEMS. NO PUBLICATION, DISTRIBUTION OR COPIES MAY BE MADE WITHOUT THE WRITTEN CONSENT OF HUBBELL POWER SYSTEMS. UNPUBLISHED ALL RIGHTS RESERVED UNDER THE COPYRIGHT LAWS.